

CAT

Frontissa inoxidable mitjana per a porta del darrera, suport escaire, coll 135.

E

Bisagra inoxidable mediana para puerta trasera, soporte escuadra, cuello 135.

F

Charnière inox moyenne pour les portes au derrière support escadre, cou 135

GB

Medium stainless steel hinge for rear of door, bracket base, neck 135.

D

Mittleres, rostfreies Scharnier für Hintertür mit Winkelhalterung, hals 135.

NL

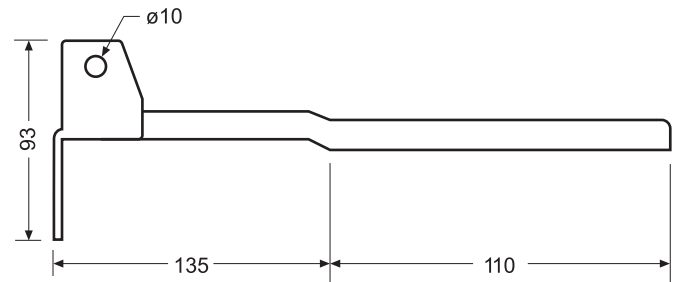
Middelgroot roestvrij hengsel voor achterdeur, hoeksteun, hals 135.

I

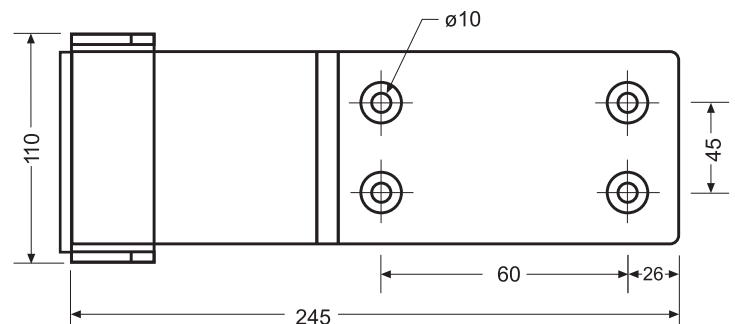
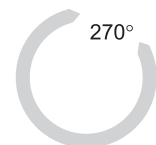
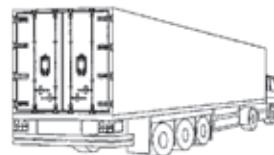
Cerniera inossidabile media per porta di dietro sostegno a squadra, collo 135.

P

Dobradiça inoxidável mediana para porta de detrás de suporte de esquadra, colarinho 135.



Ref. **FR-2102**



Inoxidables Manufactures i Qualitat s.l.
Telf.: +34 977 704 835 / Fax: +34 977 704 279
Apart. 237 - Partida Comes, s/n
43870 AMPOSTA (Tàrragona)

E-mail: imiq@imiq.com

www.imiq.com

FR-2102

Pala PF0021



Pala inox frontissa mitjana coll 135
 Pala inox bisagra mediana cuello 135
 Bras charnière inox moyenne cou 135
 Medium stainless steel tongue neck 135
 Mittleres, rostfreies Scharnier hals 135
 Middelgroot roestvrij hengselbladen hals 135
 Braccio inossidabile cerniera media collo 135
 Chapa inoxidável de dobradiça mediana colarinho 135

Suport SF0002



Suport inox escaire
 Soporte inox escuadra
 Support inox escadre
 Bracket stainless steel base
 Nichtrostende Winkelhalterung
 Roestvrij hoeksteun
 Sostegno inossidabile a squadra
 Suporte inoxidavel esquadra

Niló NF0010



Coixinet de niló
 Casquillo de nylon
 Cousinet de nylon
 Nylon sleeve
 Nylonbuchse
 Nylonkap
 Cuscinetto in nailon
 Braçadeira de nylon

Cargol CF0010



Cargol inoxidable
 Tornillo inoxidable
 Vis inoxydable
 Stainless steel screw
 Rostfreie schraube
 Roestvrij schroef
 Vite inossidabile
 Parafuso inoxidável

FR-2102